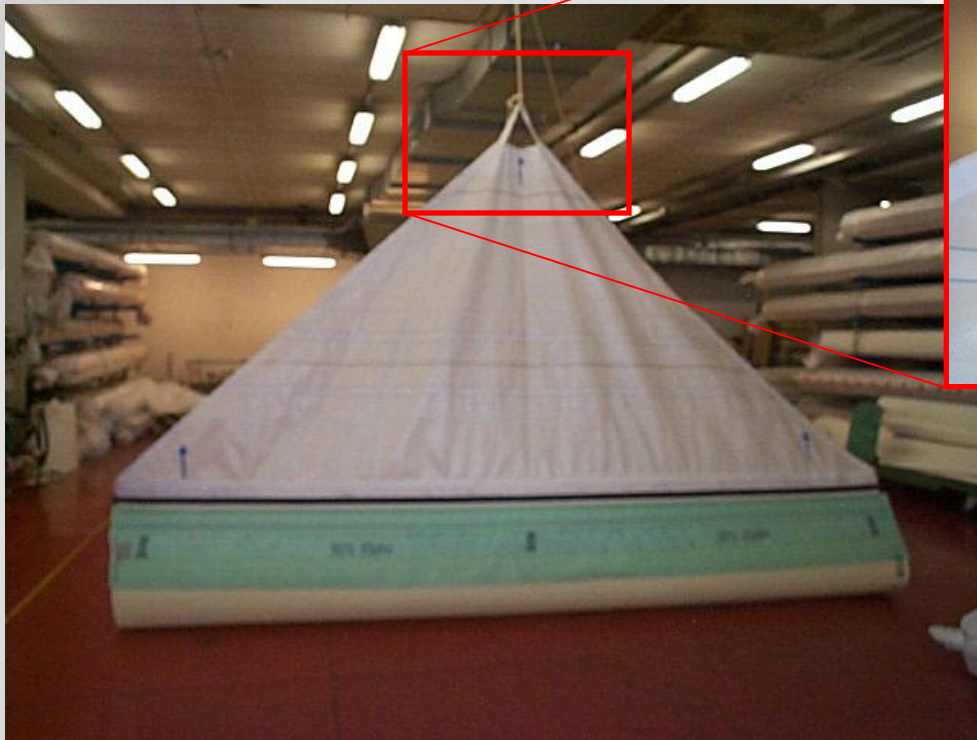


New Seamed Fabrics Leader

Total view and leading system



New Seamed Fabrics Leader

Version with leader not re-utilizable

A



Locking of the leader to the felt

B



Zippering the seam

C



System to lock the triangle to the felt

D



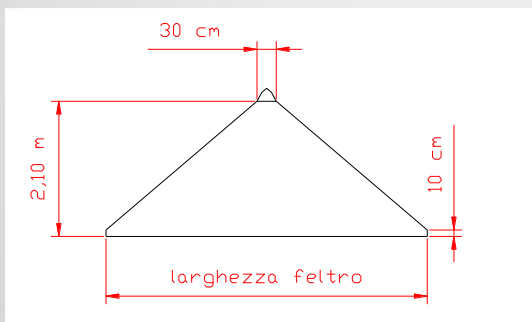
Total view of the triangle

New Seamed Fabrics Leader

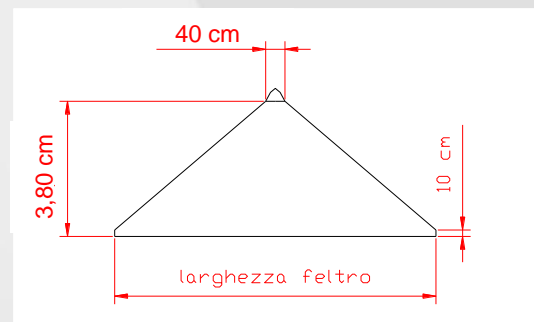
Advantages

- Improved strength thanks to the new dragging stripe;
- Reduced construction time;
- Possibility for re-utilization.

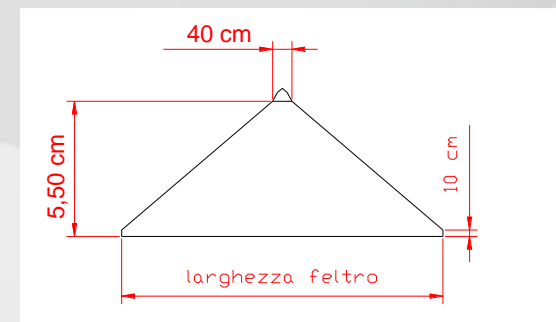
Possible versions:



Felt width up to 5m



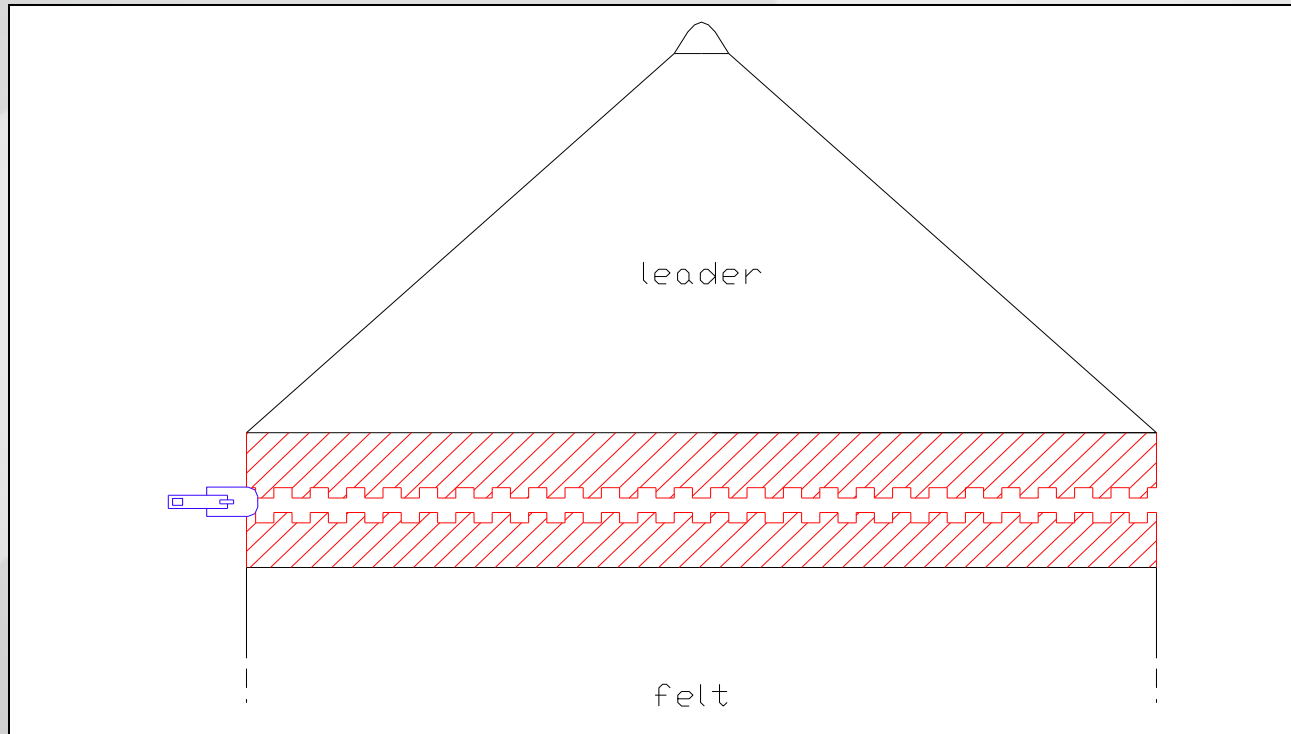
Felt width up to 8m



Felt width up to 10m

New Seamed Fabrics Leader

Locking system, version NON re-utilizable



New Seamed Fabrics Leader

Locking system, version re-utilizable

